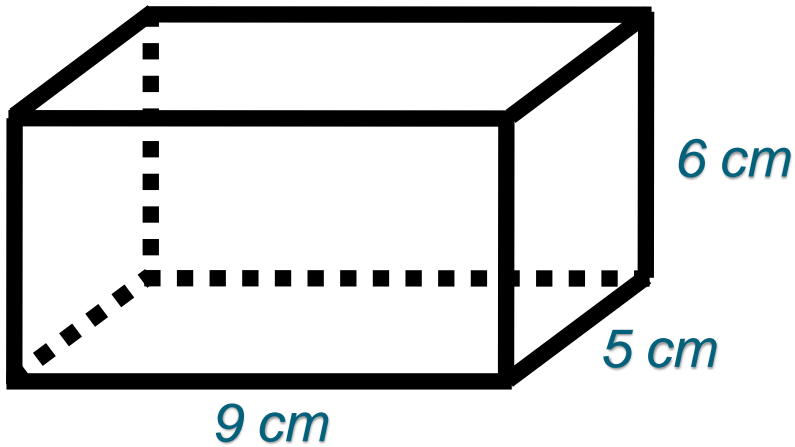


# **GEOMETRY**

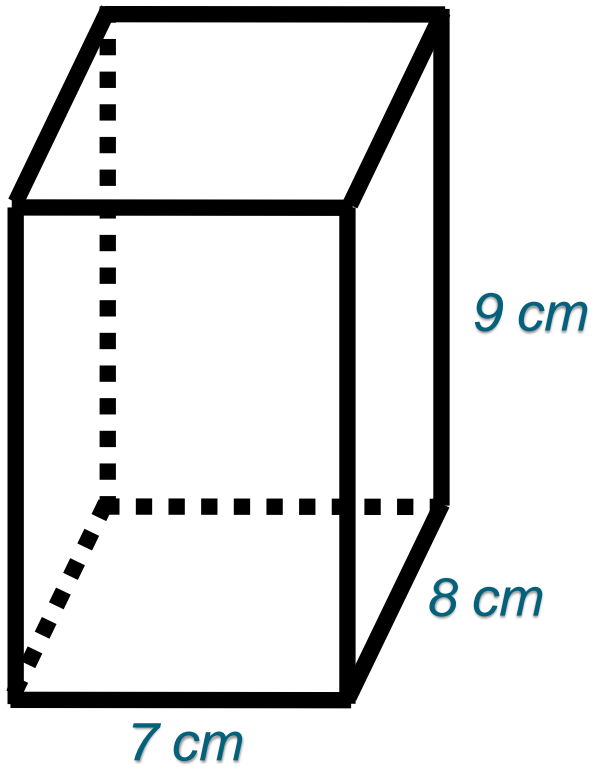
## **SURFACE AREA OF PRISMS**

# PRACTICE

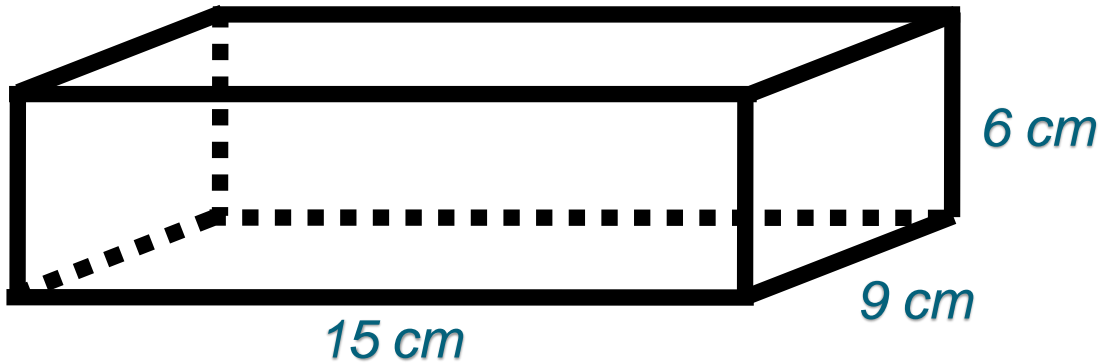
1) Find the surface area



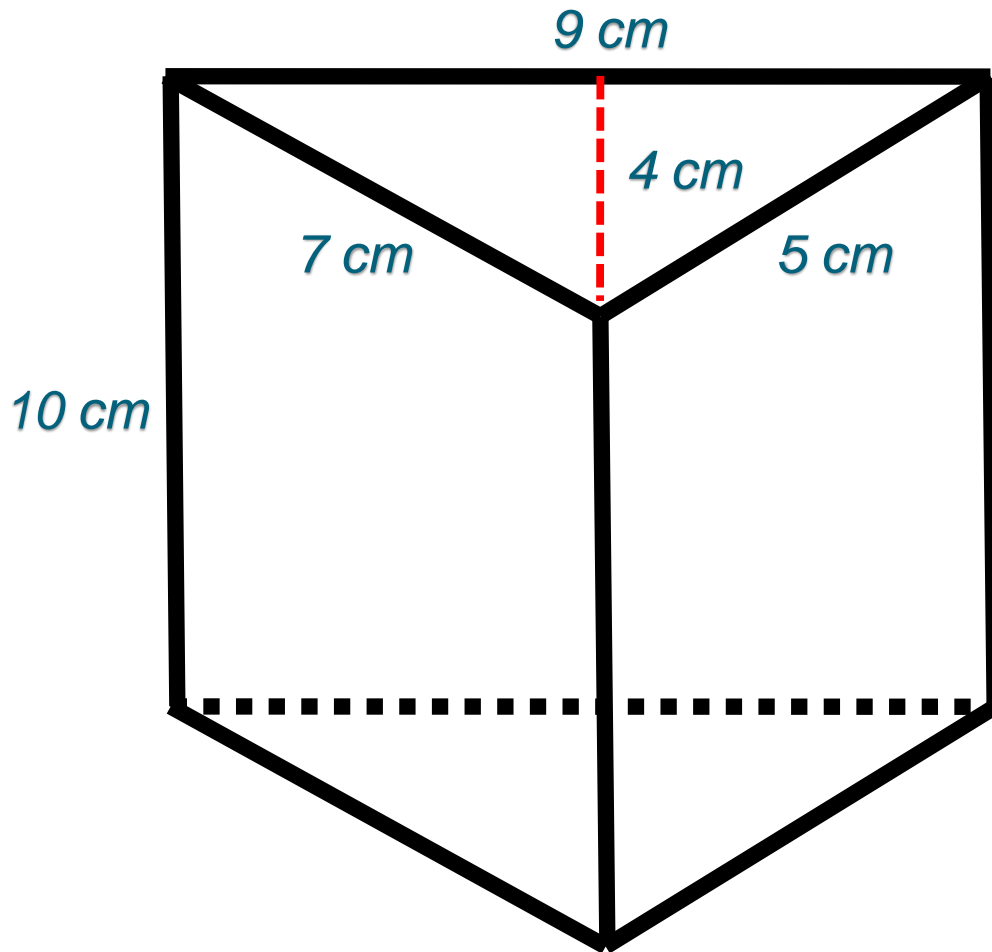
## 2) Find the surface area



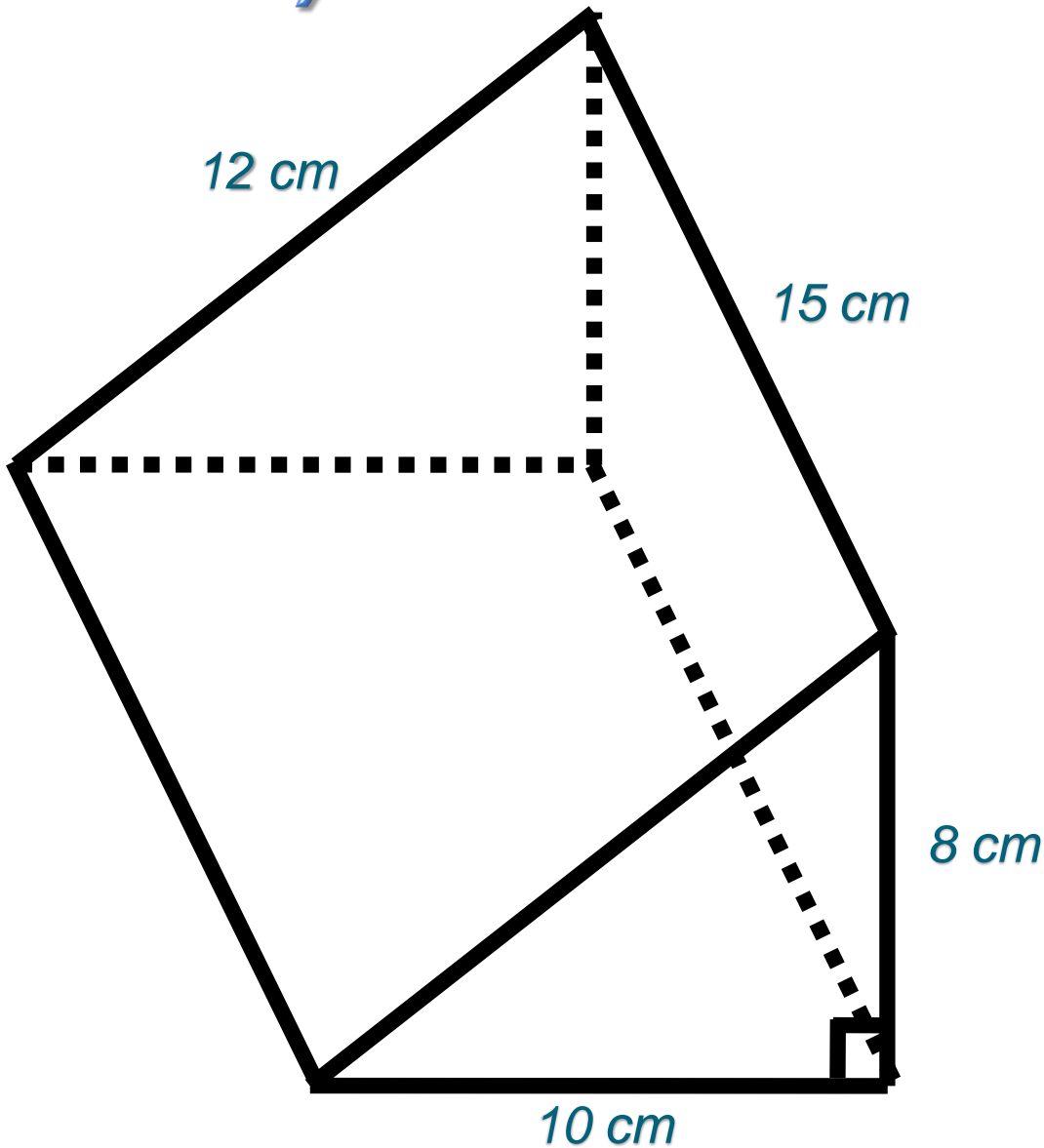
### 3) Find the surface area



## 4) Find the surface area



# 5) Find the surface area



## 6) Find the surface area

